



# AI BOX

Quick Guide



*DV-3100*

# Before reading this manual

This manual contains basic instructions on installing and using AI BOX, an IDIS product. Users who are using this product for the first time, as well as users with experience using comparable products, must read this manual carefully before use and heed to the warnings and precautions contained herein while using the product. Safety warnings and precautions contained in this manual are intended to promote proper use of the product and thereby prevent accidents and property damage and must be followed at all times. Once you have read this manual, keep it at an easily accessible location for future reference.

- ✓ • The manufacturer will not be held responsible for any product damage resulting from the use of unauthorized parts and accessories or from the user's failure to comply with the instructions contained in this manual.
- It is recommended that first-time users of AI BOX and individuals who are not familiar with its use seek technical assistance from their retailer regarding product installation and use.
- If you need to disassemble the product for functionality expansion or repair purposes, you must contact your retailer and seek professional assistance.
- Both retailers and users should be aware that this product has been certified as being electromagnetically compatible for commercial use. If you have sold or purchased this product unintentionally, please replace with a consumer version.
- This equipment has the PFC (Power Factor Correction) circuit. For stable operation, use a sign-wave output UPS with an AVR(Automatic Voltage Regulator).

## Safety Precautions


	<b>CAUTION</b> RISK OF ELECTRIC SHOCK DO NOT OPEN	
<b>CAUTION:</b> TO REDUCE THE RISK OF ELECTRIC SHOCK, DO NOT REMOVE COVER (OR BACK). NO USER-SERVICEABLE PARTS INSIDE. REFER SERVICING TO QUALIFIED SERVICE PERSONNEL.		



The lightning flash with arrowhead symbol, within an equilateral triangle, is intended to alert the user to the presence of uninsulated "dangerous voltage" within the product's enclosure that may be of sufficient magnitude to constitute a risk of electric shock.



The exclamation point within an equilateral triangle is intended to alert the user to the presence of important operating and maintenance (servicing) instructions in the literature accompanying the appliance.

Symbol	Publication	Description
	<b>IEC60417, No.5032</b>	Alternating current

**WARNING**  
**Hazardous moving parts**  
**Keep away from moving fan blades**

**AVERTISSEMENT**  
**Pièces mobiles dangereuses**  
**Se tenir éloigné des pales de ventilateurs mobiles**

## Important Safeguards

### 1. Read Instructions

All the safety and operating instructions should be read before the appliance is operated.

### 2. Retain Instructions

The safety and operating instructions should be retained for future reference.

### 3. Cleaning

Unplug this equipment from the wall outlet before cleaning it. Do not use liquid aerosol cleaners. Use a damp soft cloth for cleaning.

### 4. Attachments

Never add any attachments and/or equipment without the approval of the manufacturer as such additions may result in the risk of fire, electric shock or other personal injury.

### 5. Water and/or Moisture

Do not use this equipment near water or in contact with water.

### 6. Ventilation

Place this equipment only in an upright position. This equipment has an open-frame Switching Mode Power Supply (SMPS), which can cause a fire or electric shock if anything is inserted through the ventilation holes on the side of the equipment.

### 7. Accessories

Do not place this equipment on an unstable cart, stand or table. The equipment may fall, causing serious injury to a child or adult, and serious damage to the equipment. Wall or shelf mounting should follow the manufacturer's instructions, and should use a mounting kit approved by the manufacturer.



This equipment and cart combination should be moved with care. Quick stops, excessive force, and uneven surfaces may cause the equipment and cart combination to overturn.

### 8. Power Sources

This equipment should be operated only from the type of power source indicated on the marking label. If you are not sure of the type of power, please consult your equipment dealer or local power company. You may want to install a UPS (Uninterruptible Power Supply) system for safe operation in order to prevent damage caused by an unexpected power stoppage. Any questions concerning UPS, consult your UPS retailer.

This equipment should remain readily operable.

### 9. Power Cords

Operator or installer must remove power and TNT connections before handling the equipment.

### 10. Lightning

For added protection for this equipment during a lightning storm, or when it is left unattended and unused for long periods of time, unplug it from the wall outlet and disconnect the antenna or cable system. This will prevent damage to the equipment due to lightning and power-line surges.

### 11. Overloading

Do not overload wall outlets and extension cords as this can result in the risk of fire or electric shock.

### 12. Objects and Liquids

Never push objects of any kind through openings of this equipment as they may touch dangerous voltage points or short out parts that could result in a fire or electric shock. Never spill liquid of any kind on the equipment.

### 13. Servicing

Do not attempt to service this equipment yourself. Refer all servicing to qualified service personnel.

### 14. Damage requiring Service

Unplug this equipment from the wall outlet and refer servicing to qualified service personnel under the following conditions:

A. When the power-supply cord or the plug has been damaged.

B. If liquid is spilled, or objects have fallen into the equipment.

C. If the equipment has been exposed to rain or water.

D. If the equipment does not operate normally by following the operating instructions, adjust only those controls that are covered by the operating instructions as an improper adjustment of other controls may result in damage and will often require extensive work by a qualified technician to restore the equipment to its normal operation.

E. If the equipment has been dropped, or the cabinet damaged.

F. When the equipment exhibits a distinct change in performance — this indicates a need for service.

### 15. Replacement Parts

When replacement parts are required, be sure the service technician has used replacement parts specified by the manufacturer or that have the same characteristics as the original part. Unauthorized substitutions may result in fire, electric shock or other hazards.

### 16. Safety Check

Upon completion of any service or repairs to this equipment, ask the service technician to perform safety checks to determine that the equipment is in proper operating condition.

### 17. Field Installation

This installation should be made by a qualified service person and should conform to all local codes.

### 18. Correct Batteries

Warning: Risk of explosion if battery is replaced by an incorrect type. Replace only with the same or equivalent type. Dispose of used batteries according to the instructions. The battery shall not be exposed to excessive heat such as sunshine, fire or the like.

Avertissement: risque d'explosion en cas d'utilisation d'une batterie de type incorrect. Le remplacer uniquement par un type identique ou équivalent.

Mettre les batteries usées au rebut conformément aux instructions. La batterie ne doit pas être exposée à une source de chaleur excessive, telle que le soleil, le feu, ou analogue.

### 19. Tmra

A manufacturer's maximum recommended ambient temperature (Tmra) for the equipment must be specified so that the customer and installer may determine a suitable maximum operating environment for the equipment.

### 20. Elevated Operating Ambient Temperature

If installed in a closed or multi-unit rack assembly, the operating ambient temperature of the rack environment may be greater than room ambient. Therefore, consideration should be given to installing the equipment in an environment compatible with the manufacturer's maximum rated ambient temperature (Tmra).

### 21. Reduced Air Flow

Installation of the equipment in the rack should be such that the amount of airflow required for safe operation of the equipment is not compromised.

### 22. Mechanical Loading

Mounting of the equipment in the rack should be such that a hazardous condition is not caused by uneven mechanical loading.

### 23. Circuit Overloading

Consideration should be given to connection of the equipment to supply circuit and the effect that overloading of circuits might have on over current protection and supply wiring. Appropriate consideration of equipment nameplate ratings should be used when addressing this concern.



### 24. Reliable Earthing (Grounding)

Reliable grounding of rack mounted equipment should be maintained. Particular attention should be given to supply connections other than direct connections to the branch circuit (e.g., use of power strips).

#### HDMI Port Precautions

- Use a certified cable marked with an HDMI logo when using HDMI. The screen may not display or a connection error may occur if you do not use a certified HDMI cable.
- It is recommended that you use the following HDMI cable type.
  - High-speed HDMI Cable
  - High-speed HDMI Cable with Ethernet

## In-Text

Symbol	Type	Description
	<b>Caution</b>	Important information concerning a specific function.
	<b>Note</b>	Useful information concerning a specific function.

## User's Caution Statement

Caution: Any changes or modifications to the equipment not expressly approved by the party responsible for compliance could void your authority to operate the equipment.

## FCC Compliance Statement

THIS EQUIPMENT HAS BEEN TESTED AND FOUND TO COMPLY WITH THE LIMITS FOR A CLASS A DIGITAL DEVICE, PURSUANT TO PART 15 OF THE FCC RULES. THESE LIMITS ARE DESIGNED TO PROVIDE REASONABLE PROTECTION AGAINST HARMFUL INTERFERENCE WHEN THE EQUIPMENT IS OPERATED IN A COMMERCIAL ENVIRONMENT. THIS EQUIPMENT GENERATES, USES, AND CAN RADIATE RADIO FREQUENCY ENERGY AND IF NOT INSTALLED AND USED IN ACCORDANCE WITH THE INSTRUCTION MANUAL, MAY CAUSE HARMFUL INTERFERENCE TO RADIO COMMUNICATIONS. OPERATION OF THIS EQUIPMENT IN A RESIDENTIAL AREA IS LIKELY TO CAUSE HARMFUL INTERFERENCE, IN WHICH CASE USERS WILL BE REQUIRED TO CORRECT THE INTERFERENCE AT THEIR OWN EXPENSE.

**WARNING:** CHANGES OR MODIFICATIONS NOT EXPRESSLY APPROVED BY THE PARTY RESPONSIBLE FOR COMPLIANCE COULD VOID THE USER'S AUTHORITY TO OPERATE THE EQUIPMENT.

THIS CLASS OF DIGITAL APPARATUS MEETS ALL REQUIREMENTS OF THE CANADIAN INTERFERENCE CAUSING EQUIPMENT REGULATIONS.

## WEEE (Waste Electrical & Electronic Equipment)

### **Correct Disposal of This Product**

***(Applicable in the European Union and other European countries with separate collection systems)***



This marking shown on the product or its literature, indicates that it should not be disposed with other household wastes at the end of its working life. To prevent possible harm to the environment or human health from uncontrolled waste disposal, please separate this from other types of wastes and recycle it responsibly to promote the sustainable reuse of material resources.

Household users should contact either the retailer where they purchased this product, or their local government office, for details of where and how they can take this item for environmentally safe recycling.

Business users should contact their supplier and check the terms and conditions of the purchase contract. This product should not be mixed with other commercial wastes for disposal.

## Copyright

© 2021 IDIS Co., Ltd.

IDIS Co., Ltd. reserves all rights concerning this manual.

Use or duplication of this manual in part or whole without the prior consent of IDIS Co., Ltd. is strictly prohibited.

Contents of this manual are subject to change without prior notice.

## Registered Trademarks

IDIS is a registered trademark of IDIS Co., Ltd.

Other company and product names are registered trademarks of their respective owners.

The information in this manual is believed to be accurate as of the date of publication even though explanations of some functions may not be included. We are not responsible for any problems resulting from the use thereof. The information contained herein is subject to change without notice. Revisions or new editions to this publication may be issued to incorporate such changes.

The software included in this product contains some Open Sources. You may obtain the corresponding source code which we have to distribute according to the license policy. Go to Client Menu - About page for more information. This product includes software developed by the University of California, Berkeley and its contributors, and software developed by the OpenSSL Project for use in the OpenSSL Toolkit (<http://www.openssl.org/>). Also, this product includes cryptographic software written by Eric Young ([eay@cryptsoft.com](mailto:eay@cryptsoft.com)), and software written by Tim Hudson ([tjh@cryptsoft.com](mailto:tjh@cryptsoft.com)).

Covered by one or more claims of the patents listed at [patentlist.accessadvance.com](http://patentlist.accessadvance.com).

# Table of Contents

---

## 1

### **Part 1 – Product Information ..... 7**

System Diagram.....7

Front Panel.....7

Rear Panel.....8

Turning On the NVR .....9

Turning Off the NVR .....9

## 2

### **Part 2 - Appendix..... 10**

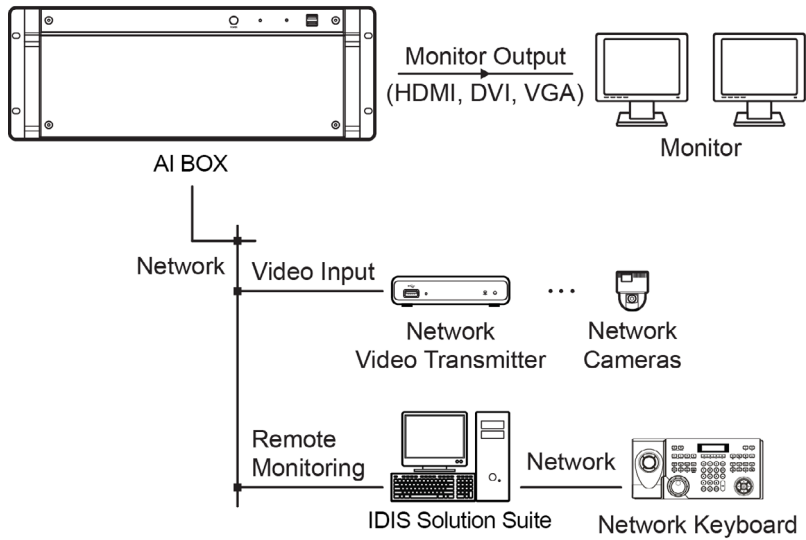
HDD Compatibility Model .....10

Troubleshooting .....10

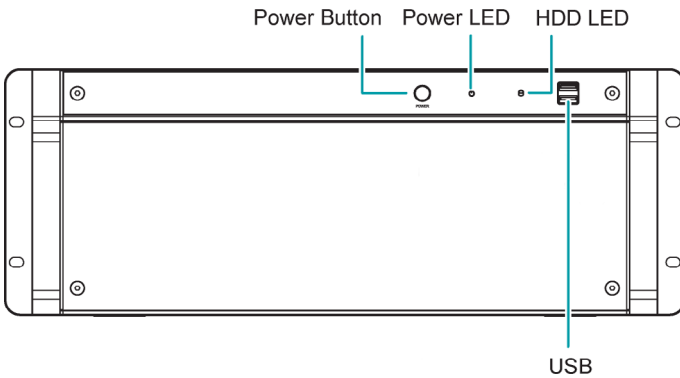
Specifications .....11

# Part 1 – Product Information

## System Diagram



## Front Panel

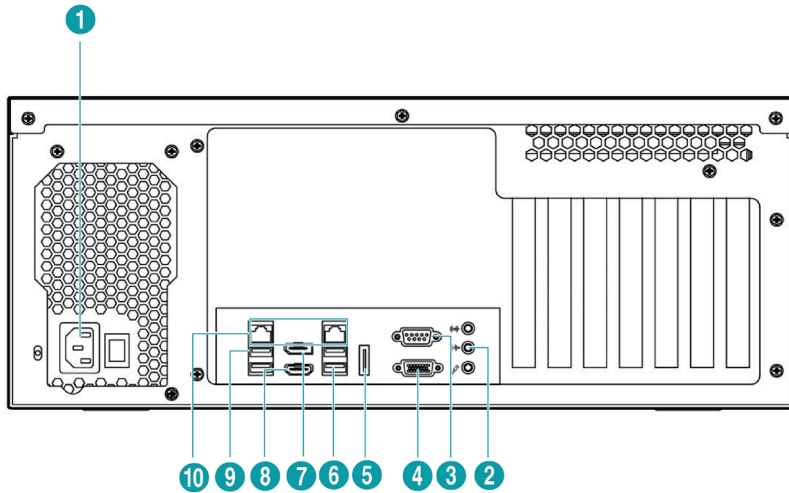


- **Power Button:** Turn the system on or off.
- **Power LED:** Is lit when the unit is turned on.
- **HDD LED:** Flickers when the unit accesses to the hard disk drive.
- **USB:** Connect USB devices such as a mouse, keyboard, USB storage device or printer.



Windows may not operate properly when using the USB connectors on the front panel of the NVR, depending on the model type of the USB device. In this case, connect the USB device after Windows boots properly or use the USB connectors located on the rear panel.

## Rear Panel



1	Power In	2	Audio Out	3	RS232	4	VGA (D-Sub)
5	E-SATA	6	USB 3.0	7	DP	8	HDMI
9	USB 2.0	10	Network				

### ① Power In

Connect a power cord.

### ② Audio Out

Connect an amplifier (Line-out). The NVR does not have amplified audio output, so you will need a speaker with an amplifier.

### ③ RS232

Connect a remote control device for RS232 communication.

### ④ VGA (D-Sub)

Connect an HD (High-Definition) PC monitor which supports a D-Sub interface. Connect a monitor before turning on the system. Video might not be displayed on the monitor when connecting a monitor after turning on the system.

### ⑤ E-SATA

Connect an external hard disk drive which supports an eSATA interface.

### ⑥ USB

Connect USB devices such as a mouse, keyboard, USB storage device or printer.

### ⑦ DP

Connect an HD (High-Definition) PC monitor which supports a DP interface.

### ⑧ HDMI

Connect an HD (High-Definition) PC monitor which supports an HDMI interface.

### ⑨ Network

Connect a CAT 5e or higher cable with an RJ-45 connector.



- The location of ports in slots can be different from the image above.
- If the LAN 1 and LAN 2 is connected to the same network, the system may malfunction.



- When mounting then NVR on a rack, comply with the following instructions.
  - Ensure that the rack inside is not sealed.
  - Ensure the air is circulated through the inlet/outlet.
  - If you pile up NVRs or other rack-mount devices, secure room for ventilation or install a vent.
  - For natural air convection, place the inlet at the bottom of the rack and the outlet on top.
  - It is strongly recommended that a fan motor is installed at the inlet and the outlet for air circulation and fit a filter at the inlet to screen dust or foreign substances.
  - Maintain the temperature inside the rack or surrounding areas between 32°F to 104°F (0°C to 40°C)

## Turning Off the NVR

In order to completely shut down the system, plug out the power cord on the back panel after turning off the power. The system will automatically restart if the system has been shut down improperly.

## Turning On the NVR

Press the power button located on the front panel to turn the system on.

Enter your user ID and password. The default user ID is **admin** and default password is **12345678**. You can change the user ID and password in the User menu.

Refer to the IDIS Solution Suite User's Manual for details about operation.



- Connect a monitor before turning on the system. Video might not be displayed on the monitor when connecting a monitor after turning on the system.

## Part 2 - Appendix

---

### HDD Compatibility Model

Some hard disks may not function properly when mounted on to this product. Refer to the compatibility chart below before mounting any additional hard disk on to the product.

Hard disk compatibility chart is subject to change without notice. Contact your retailer for the latest compatibility chart.

#### SATA III (6.0 Gb/s)

Storage	Manufacturer	Model	Note
1TB	TOSHIBA	HDD SATA,DT01ABA100V,1TB,5700RPM	

This product can mount and operate up to 5 HDDs, and each video analysis is separately operated through LAN1 and LAN2.

This equipment is video analysis purpose only, which does not guarantee performance for other functions besides video analysis.

### Troubleshooting

Problem	Solution
The monitor screen is not displayed.	There is a problem with the Main Board. Reboot the NVR. If it happens often, call your dealer or installer.

## Specifications

These product specifications may change without prior notice.

CONNECTOR	
<b>Monitor Output</b>	1 HDMI, 1 DP, 1 VGA
<b>Audio Input / Output</b>	1 AUX connector (3.5 $\Phi$ ) / 1 AUX connector (3.5 $\Phi$ )
<b>Alarm</b>	Terminal Block
<b>Ethernet Port</b>	2 RJ-45 (1 Gbps Ethernet)
<b>eSATA Port</b>	1 eSATA
<b>RS-232 Serial Port</b>	DB9 (P)
<b>USB</b>	USB 2.0: X2 (Front), X2 (Back) / USB 3.0: X2 (Back)
STORAGE	
<b>Main Storage</b>	SATA HDD (Max. 5)
<b>Secondary Storage (Extension)</b>	eSATA HDD
GENERAL	
<b>Unit Dimensions (W x H x D)</b>	440mm x 177mm x 462mm (17.3"x7.0"x18.2")
<b>Unit Weight</b>	14kg (30.86 lbs.)
<b>Working Temperature</b>	0°C to 40°C
<b>Operating Humidity</b>	0% ~ 90%
<b>Power Input</b>	AC 100-240 V, 50/60Hz, 5.5-2.5A
<b>Power Consumption</b>	AC 100-240 V, 50/60Hz, 5.5-2.5A, 350W
<b>Channel Analysis Performance</b>	Max. 64 channels (640x360 @ 5 ips video input)
<b>CPU</b>	Intel Skylake I7-7700, 3.6GHz
<b>RAM</b>	DDR4 PC-19200, 8GB
<b>VGA</b>	RTX2060 SUPER, 8GB
<b>Approvals</b>	FCC, UL**, CE, CB

\*\* CAUTION: Risk of Explosion if battery is replaced by an incorrect type. Dispose of used batteries according to the instructions. This equipment is indoor use and all the communication wiring are limited to inside of the building.



**IDIS Co., Ltd.**

For more information, please visit at  
[www.idisglobal.com](http://www.idisglobal.com)





# Коробка ИСКУССТВЕННОГО ИНТЕЛЛЕКТА

Руководство по установке

*DV-3100*

Powered by **Direct IP**<sup>®</sup>

## Прежде чем приступить к изучению данного руководства



Настоящее руководство по эксплуатации содержит основные инструкции по установке и использованию Коробка искусственного интеллекта, изделия корпорации IDIS.

Если вы используете данное изделие впервые или уже имеете опыт обращения с подобными изделиями, внимательно прочитайте это руководство по эксплуатации перед началом использования, учитывая предупреждения и меры предосторожности при обращении с изделием. Необходимо неукоснительно соблюдать меры предосторожности для безопасного использования изделия, описанные в этом руководстве по эксплуатации, так как они способствуют надлежащему использованию изделия, предотвращению несчастных случаев и материального ущерба.



После прочтения этого руководства по эксплуатации храните его поблизости, так как оно может потребоваться в будущем.

- Несанкционированное воспроизведение данного руководства запрещено.
- Изготовитель не несет ответственности за поломки изделия вследствие использования нестандартных деталей и аксессуаров или несоблюдения рекомендаций, содержащихся в этом руководстве по эксплуатации.
- Рекомендуется, чтобы пользователи, использующие Коробка искусственного интеллекта впервые, а также лица, которые не знакомы с его использованием, обратились за технической поддержкой к розничному продавцу по вопросам монтажа и эксплуатации.
- Если вам нужно разобрать продукт для расширения функциональности или ремонта, обратитесь к продавцу или специалисту за профессиональной помощью.
- Розничные продавцы и пользователи должны учитывать, что это устройство сертифицировано и совместимо с коммерческим электромагнитным оборудованием. Если вы непреднамеренно продали или купили этот продукт, замените его на потребительскую версию.

## Символы Безопасности

Символ	Тип	Описание
	<b>Предупреждение</b>	Важная инструкция или набор важных инструкций, нарушение которых может привести к серьезным травмам или гибели.
	<b>Предосторожность</b>	Инструкция или набор инструкций, нарушение которых может привести к травмам персонала и / или повреждению имущества.

## В Тексте

Символ	Тип	Описание
	<b>Внимание</b>	Важная информация о специальной функции.
	<b>Примечание</b>	Полезная информация о специальной функции.

# Меры Безопасности

Информация, содержащаяся в данном разделе руководства, служит для предотвращения несчастных случаев и повреждения имущества за счет правильного использования продукта. Пожалуйста, внимательно прочитайте следующие инструкции и неукоснительно выполняйте их.



**Предупреждение** Несоблюдение может привести к серьезным травмам или даже смерти.

## Монтаж

**Убедитесь в том, что изделие выключено, прежде чем устанавливать его, и используйте отдельную сетевую розетку.**

- Представляет опасность перегрева, пожара и поражения электрическим током.

**Не следует использовать изделие в слишком горячей (50 °C или выше), холодной (0 °C или ниже) или влажной окружающей среде.**

- Представляет опасность пожара.

**Установите изделие в затененной области для обеспечения защиты от воздействия прямых солнечных лучей и поддерживайте нормальную температуру окружающей среды. Не устанавливайте изделие вблизи источников тепла, а также таких предметов и приборов, как свечи и обогреватели.**

- Представляет опасность пожара.

**Внутри изделия имеются компоненты высокого напряжения. Не пытайтесь открывать крышку или разбирать, ремонтировать или модифицировать изделие.**

- Представляет опасность пожара, поражения электрическим током и травм.

**Порты подключения в задней части изделия слегка выступают, и размещение задней части продукта чрезмерно близко к стене приведет к излишнему перегибу кабелей или их поломке. Поддерживайте расстояние не менее 15 см между задней стороной изделия и стеной, около которой оно стоит.**

- Представляет опасность пожара, поражения электрическим током и травм.

**Не используйте изделие в особо влажной, пыльной или закопченной среде.**

- Представляет опасность поражения электрическим током и пожара.

**Всегда поддерживайте операционную среду чистой и свободной от пыли. Используйте сухую тряпку для очистки изделия. Не следует использовать воду, разбавители, или органические растворители.**

- Несоблюдение этого правила может привести к повреждению отделки изделия и представляет собой опасность поражения электрическим током.



### Заявление о соответствии требованиям Федеральной комиссии по связи (FCC)

ДАННОЕ ОБОРУДОВАНИЕ БЫЛО ПРОТЕСТИРОВАНО И ПРИЗНАНО СООТВЕТСТВУЮЩИМ ВСЕМ ОГРАНИЧЕНИЯМ ДЛЯ ЦИФРОВЫХ УСТРОЙСТВ КЛАССА А СОГЛАСНО ЧАСТИ 15 ПРАВИЛ FCC. ЭТИ ОГРАНИЧЕНИЯ РАЗРАБОТАНЫ ДЛЯ НАДЛЕЖАЩЕЙ ЗАЩИТЫ ОТ ВРЕДНОГО ИЗЛУЧЕНИЯ ПРИ ЭКСПЛУАТАЦИИ ОБОРУДОВАНИЯ В КОММЕРЧЕСКОЙ СРЕДЕ. ДАННОЕ ОБОРУДОВАНИЕ ГЕНЕРИРУЕТ, ИСПОЛЬЗУЕТ И МОЖЕТ ИЗЛУЧАТЬ РАДИОЧАСТОТНУЮ ЭНЕРГИЮ, КОТОРАЯ, В СЛУЧАЕ ИСПОЛЬЗОВАНИЯ ИЛИ УСТАНОВКИ С НАРУШЕНИЯМИ ИНСТРУКЦИЙ, МОЖЕТ СОЗДАВАТЬ ПОМЕХИ РАДИОСВЯЗИ. ЭКСПЛУАТАЦИЯ ДАННОГО ОБОРУДОВАНИЯ В ЖИЛОЙ ЗОНЕ МОЖЕТ ВЫЗВАТЬ ВРЕДНЫЕ ПОМЕХИ, И В ЭТОМ СЛУЧАЕ ПОЛЬЗОВАТЕЛЬ ДОЛЖЕН БУДЕТ УСТРАНИТЬ ПОМЕХИ ЗА СВОЙ СЧЕТ.

**ПРЕДУПРЕЖДЕНИЕ.** ЛЮБЫЕ ИЗМЕНЕНИЯ ИЛИ МОДИФИКАЦИИ ИЗДЕЛИЯ БЕЗ СОГЛАСОВАНИЯ С КОМПЕТЕНТНЫМ ОРГАНОМ МОГУТ ЛИШИТЬ ВАС ПРАВА НА ИСПОЛЬЗОВАНИЕ ОБОРУДОВАНИЯ. ДАННЫЙ КЛАСС ЦИФРОВОЙ АППАРАТУРЫ СООТВЕТСТВУЕТ ВСЕМ ТРЕБОВАНИЯМ РЕГУЛИРУЮЩИХ ОРГАНОВ КАНАДЫ К ОБОРУДОВАНИЮ — ИСТОЧНИКУ ИНТЕРФЕРЕНЦИИ.

### Утилизация отходов производства электрического и электронного оборудования

#### **Надлежащая утилизация изделия (Применимо в Европейском союзе и других европейских странах с отдельными системами сбора отходов)**



Данная маркировка на изделии или документации к нему указывает, что оно не подлежит утилизации совместно с другими бытовыми отходами по истечении срока годности. Чтобы избежать вредного воздействия на окружающую среду или здоровье человека вследствие неконтролируемой утилизации отходов, данные отходы подлежат отделению от других типов отходов и тщательной переработке для повторного использования.

При использовании оборудования в бытовых условиях пользователям следует выяснить, куда и каким образом доставить его в целях переработки для повторного использования.

При промышленном использовании пользователям следует связаться с поставщиком для выяснения соответствующих условий договора купли-продажи. Данное изделие подлежит утилизации отдельно от других промышленных отходов.

## Электропитание

**Колебания напряжения источника питания должны быть в пределах 10% от номинального напряжения, розетка должна быть заземлена. Не включайте электроприборы, такие как фен, утюг, и холодильник в ту же самую электрическую розетку, что и изделие.**

- Представляет опасность перегрева, пожара и поражения электрическим током.

**Не допускайте чрезмерных перегибов кабеля питания, не ставьте на него тяжелые предметы.**

- Представляет опасность пожара.

**Не тяните за кабель питания и не берите вилку мокрыми руками. Не вставляйте вилку в неплотно сидящую розетку.**

- Представляет опасность пожара и поражения электрическим током.

**Возможно, вы захотите установить UPS (источник бесперебойного питания) для безопасной эксплуатации, чтобы предотвратить повреждения из-за неожиданного прекращения подачи электричества. При возникновении вопросов о UPS свяжитесь со своим дистрибьютором.**

## Использование Изделия

**Не ставьте чашку или контейнер с жидкостью на верхнюю плоскость изделия.**

- Жидкость может пролиться и повредить внутренние части изделия, а также вызвать риск пожара.

**Избегайте опасных ситуаций, таких как размещение изделия или сетевого кабеля на влажном / мокром полу, использование незаземленного удлинителя, использования поврежденного (открытого) кабеля питания, отсутствие надлежащего заземления продукта. Обратитесь к розничному продавцу или к специалисту, если у вас возникнут проблемы.**

- Представляет опасность пожара и поражения электрическим током.

**Если от изделия исходит странный шум или запах, отсоедините кабель питания и немедленно обратитесь в сервисный центр.**

- Представляет опасность пожара и поражения электрическим током.



**Предосторожность**

Несоблюдение данных инструкций может привести к легким травмам и /или повреждению изделия.

Охраняется одним или несколькими пунктами патентных формул, указанных на сайте [patentlist.accessadvance.com](http://patentlist.accessadvance.com).

# Содержание

---

## 1

### **Часть 1 – Информация об устройстве ..... 7**

Диаграмма системы .....	7
Передняя панель .....	7
Задняя панель .....	8
Включение NVR .....	9
Выключение NVR .....	9

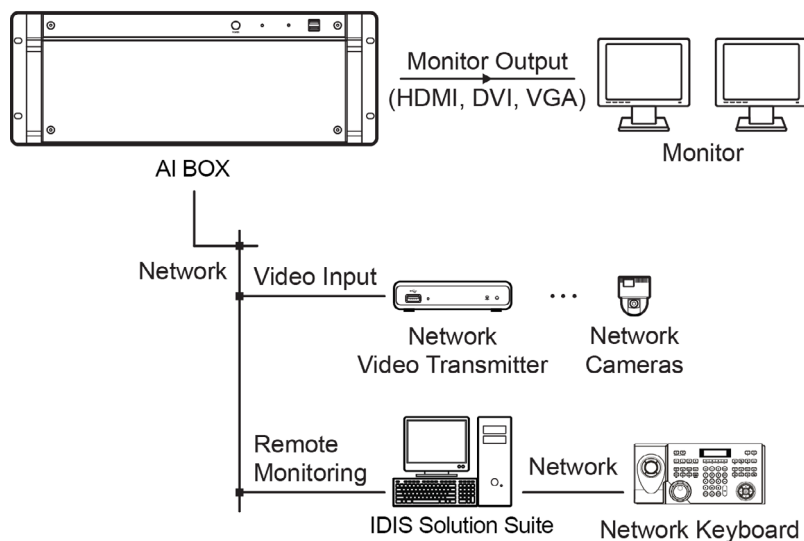
## 2

### **Часть 2 - Решение проблем ..... 10**

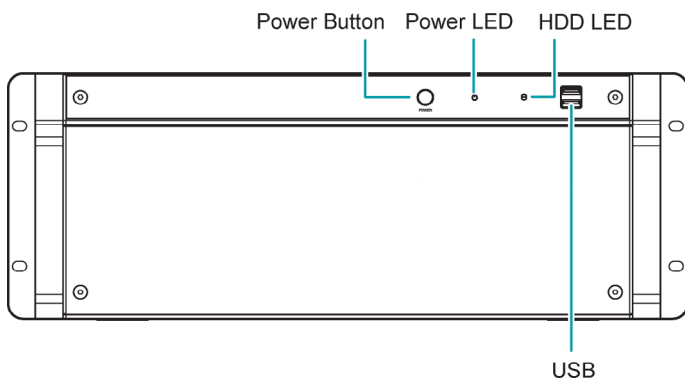
Решение проблем .....	10
Решение проблем .....	10
Спецификация .....	11

# Часть 1 – Информация об устройстве

## Диаграмма системы



## Передняя панель

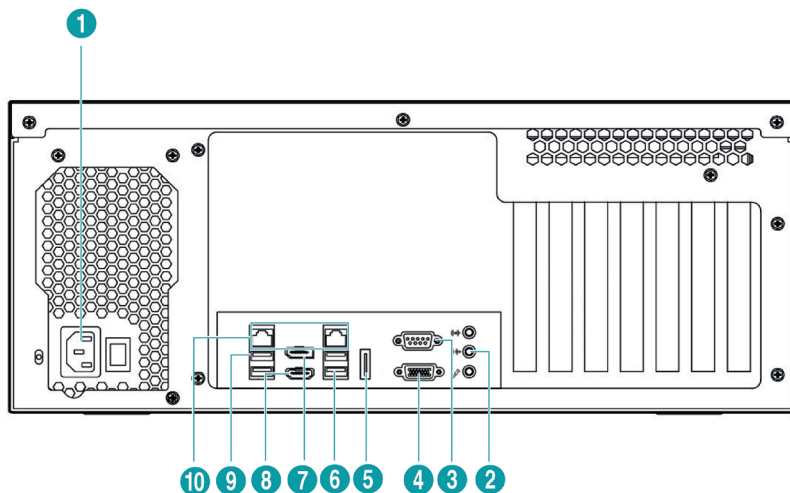


- **Кнопка питания:** включение или выключение системы.
- **Индикатор питания:** Горит, когда устройство включено.
- **Индикатор HDD:** Мигает, когда устройство получает доступ к жесткому диску.
- **USB:** подключите USB-устройства, такие как мышь, клавиатура, USB-накопитель или принтер.



Windows может работать некорректно при использовании разъемов USB на передней панели NVR, в зависимости от типа модели устройства USB. В этом случае подключите устройство USB после правильной загрузки Windows или используйте разъемы USB, расположенные на задней панели.

## Задняя панель



1	Питание	2	Аудио выход	3	RS232	4	VGA (D-Sub)
5	E-SATA	6	USB 3.0	7	DP	8	HDMI
9	USB 2.0	10	Сеть				

### 1 Питание В

Подключите кабель питания.

### 2 Аудио выход

подключите усилитель (линейный выход). NVR не имеет усиленного аудиовыхода, поэтому вам понадобится динамик с усилителем.

### 3 RS232

подключите устройство дистанционного управления для связи RS232.

### 4 VGA (D-Sub)

подключите монитор HD (высокой четкости), который поддерживает интерфейс D-Sub. Подключите монитор перед включением системы. Видео может не отображаться на мониторе при подключении монитора после включения системы.

### 5 E-SATA

подключите внешний жесткий диск, который поддерживает интерфейс eSATA.

### 6 USB

подключите USB-устройства, такие как мышь, клавиатура, USB-накопитель или принтер.

### 7 DP

подключите монитор ПК HD (высокой четкости), который поддерживает интерфейс DP.

### 8 HDMI

подключите монитор высокой четкости (HD), поддерживающий интерфейс HDMI.

### 9 Сеть

подключите кабель CAT 5e или выше с разъемом RJ-45.



- Расположение портов в слотах может отличаться от изображения выше.
- Если LAN 1 и LAN 2 подключены к одной и той же сети, система может работать неправильно.

- При установке NVR на стойку соблюдайте следующие инструкции.
  - Убедитесь, что стойка внутри не герметична.
  - Убедитесь, что воздух циркулирует через впуск / выпуск.
  - Если вы собираете видеорегистраторы или другие устройства для монтажа в стойку, обеспечьте место для вентиляции или установите вентиляционное отверстие.
  - Для естественной конвекции воздуха поместите впускное отверстие в нижней части стойки, а выпускное отверстие - сверху.
  - Настоятельно рекомендуется установить двигатель вентилятора на входе и выходе для циркуляции воздуха и установить фильтр на входе для экранирования пыли или посторонних веществ.
  - Поддерживайте температуру внутри стойки или прилегающих областей от 32°F до 104°F (от 0°C до 40°C) .

## Включение NVR

Нажмите кнопку питания, расположенную на передней панели, чтобы включить систему.

Введите свой идентификатор пользователя и пароль. ID пользователя по умолчанию - **admin**, а пароль по умолчанию - **12345678**. Вы можете изменить ID пользователя и пароль в меню User.

Подробнее о работе в руководстве пользователя IDIS Solution Suite.



Подключите монитор перед включением системы. Видео может не отображаться на мониторе при подключении монитора после включения системы.

## Выключение NVR

Для того, чтобы полностью выключить систему, извлеките шнур питания на задней панели после выключения питания. Система автоматически перезапустится, если она была неправильно отключена.

## Часть 2 - Решение проблем

---

### Решение проблем

Некоторые жесткие диски могут не работать должным образом при установке на этот продукт. Перед установкой жесткого диска на устройство ознакомьтесь с таблицей совместимости ниже.

Совместимость жестких дисков может быть изменена без предварительного уведомления. Свяжитесь с вашим поставщиком для получения последней таблицы совместимости.

#### SATA III (6.0 Гбит/с)

Объем	Производитель	Модель	Комм
1TB	TOSHIBA	HDD SATA,DT01ABA100V,1TB,5700RPM	

Этот продукт может устанавливать и управлять до 5 жесткими дисками, и каждый анализ видео выполняется отдельно через LAN1 и LAN2.

Это оборудование предназначено только для анализа видео, которое не гарантирует выполнение других функций, кроме анализа видео.

### Решение проблем

Проблема	Решение
На мониторе нет изображения.	Решение: есть проблема с главной платой. Перезагрузите NVR. Если это происходит часто, позвоните своему дилеру или установщику.

## Спецификация

Спецификация продукта может быть изменена без предварительного уведомления.

РАЗЪЕМЫ	
<b>Выход монитора</b>	1 HDMI, 1 DP, 1 VGA
<b>Аудио вход / выход</b>	1 AUX (3.5 Ф) / 1 AUX (3.5 Ф)
<b>Ethernet порт</b>	2 RJ-45 (1 Гбит/с Ethernet)
<b>eSATA порты</b>	1 eSATA
<b>RS-232 порт</b>	DB9 (P)
<b>USB</b>	USB 2.0: X2 (Передняя панель), X2 (Задняя панель) / USB 3.0: X2 (Задняя панель)
ХРАНИЛИЩЕ	
<b>Основное хранилище</b>	SATA HDD (Макс. 5)
<b>Дополнительное хранилище</b>	eSATA HDD
ОСНОВНЫЕ	
<b>Размеры (Ш x В x Г)</b>	440мм x 177мм x 462мм
<b>Вес</b>	14kg (30.86lb)
<b>Рабочая температура</b>	0°C до 40°C
<b>Рабочая влажность</b>	0% ~ 90%
<b>Питание вход</b>	AC 100-240 В, 50/60Гц, 5.5-2.5А
<b>Потребление</b>	AC 100-240 В, 50/60Гц, 5.5-2.5А, 350Вт
<b>Производительность анализа каналов</b>	Макс. 64 каналы (640x360 @ 5 ips видеовход)
<b>Процессор</b>	Intel Skylake I7-7700, 3.6 ГГц
<b>Оперативная память</b>	DDR4 PC-19200, 8 ГБ
<b>Видеографическая матрица</b>	RTX2060 SUPER, 8 ГБ
<b>Сертификаты</b>	FCC, UL**, CE, CB

\*\* ПРЕДУПРЕЖДЕНИЕ. Риск взрыва в случае замены батареи неправильного типа. Утилизируйте использованные батареи в соответствии с инструкциями. Это оборудование предназначено для использования внутри помещений.

- **Производитель:** IDIS Co., Ltd
- **Адрес:** Республика Корея, 8-10, Techno 3-ro, Yuseong-gu, Daejeon, 34012
- **Импортер:** ООО «Авикс Дистрибьюторский Центр» (ООО «Авикс ДЦ»)
- **Адрес:** 115093, г. Москва, ул. Большая Серпуховская, дом 44, помещение I, комната 19



- Дата изготовления устройства отмечена в серийном номере изделия, указанном на корпусе: седьмая и восьмая цифра слева обозначают год производства, девятая и десятая - месяц. Дополнительные сведения смотрите на веб-сайте [www.idisglobal.ru](http://www.idisglobal.ru)











**IDIS Co., Ltd.**

For more information, please visit at  
[www.idisglobal.com](http://www.idisglobal.com)