



Network Camera

Quick Guide

DC-S3283FX/DC-S3283FX-A

DC-S3283WHX/DC-S3283WHX-A

Safety Precautions

WARNING

RISK OF ELECTRIC SHOCK
DO NOT OPEN

WARNING: TO REDUCE THE RISK OF ELECTRIC SHOCK,
DO NOT REMOVE COVER (OR BACK). NO USER-SERVICEABLE PARTS INSIDE.
REFER SERVICING TO QUALIFIED SERVICE PERSONNEL.

Important Safeguards

1. Read Instructions

All the safety and operating instructions should be read before the appliance is operated.

2. Retain Instructions

The safety and operating instructions should be retained for future reference.

3. Cleaning

Unplug this equipment from the wall outlet before cleaning it. Do not use liquid aerosol cleaners. Use a damp soft cloth for cleaning.

4. Attachments

Never add any attachments and/or equipment without the approval of the manufacturer as such additions may result in the risk of fire, electric shock or other personal injury.

5. Water and/or Moisture

Do not use this equipment near water or in contact with water.

6. Placing and Accessories

Do not place this equipment on an wall or ceiling that is not strong enough to sustain the camera. The equipment may fall, causing serious injury to a child or adult, and serious damage to the equipment. Wall or shelf mounting should follow the manufacturer's instructions, and should use a mounting kit approved by the manufacturer.



This equipment and cart combination should be moved with care. Quick stops, excessive force, and uneven surfaces may cause the equipment and cart combination to overturn.

Do not place this equipment in an enclosed space. Sufficient ventilation is required to prevent an increase in ambient temperature which can cause malfunction or the risk of fire.

7. Power Sources

This equipment should be operated only from the type of power source indicated on the marking label. If you are not sure of the type of power, please consult your equipment dealer or local power company. You may want to install a UPS

(Uninterruptible Power Supply) system for safe operation in order to prevent damage caused by an unexpected power stoppage. Any questions concerning UPS, consult your UPS retailer.

8. Power Cord

Operator or installer must remove power and TNT connections before handling the equipment.

9. Lighting

For added protection for this equipment during a lightning storm, or when it is left unattended and unused for long periods of time, unplug it from the wall outlet and disconnect the antenna or cable system. This will prevent damage to the equipment due to lightning and power-line surges. If thunder or lightning is common where the equipment is installed, use a surge protection device.

10. Overloading

Do not overload wall outlets and extension cords as this can result in the risk of fire or electric shock.

11. Objects and Liquids

Never push objects of any kind through openings of this equipment as they may touch dangerous voltage points or short out parts that could result in a fire or electric shock. Never spill liquid of any kind on the equipment.

12. Servicing

Do not attempt to service this equipment yourself. Refer all servicing to qualified service personnel.

13. Damage requiring Service

Unplug this equipment from the wall outlet and refer servicing to qualified service personnel under the following conditions:

- When the power-supply cord or the plug has been damaged.
- If liquid is spilled, or objects have hit the equipment.
- If the equipment has been exposed to rain or water.
- If the equipment does not operate normally by following the operating instructions, adjust only those controls that are covered by the operating instructions as an improper adjustment of other controls may result in damage and will often require extensive work

by a qualified technician to restore the equipment to its normal operation.

- If the equipment has been dropped, or the cabinet damaged.
- When the equipment exhibits a distinct change in performance — this indicates a need for service.

14. Replacement Parts

When replacement parts are required, be sure the service technician has used replacement parts specified by the manufacturer or that have the same characteristics as the original part. Unauthorized substitutions may result in fire, electric shock or other hazards.

15. Safety Check

Upon completion of any service or repairs to this equipment, ask the service technician to perform safety checks to determine that the equipment is in proper operating condition.

16. Field Installation

This installation should be made by a qualified service person and should conform to all local codes.

17. Correct Batteries

Warning: Risk of explosion if battery is replaced by an incorrect type. Replace only with the same or equivalent type. Dispose of used batteries according to the instructions. The battery shall not be exposed to excessive heat such as sunshine, fire or the like.

Avertissement: risque d'explosion en cas d'utilisation d'une batterie de type incorrect. Le remplacer uniquement par un type identique ou équivalent. Mettre les batteries usées au rebut conformément aux instructions. La batterie ne doit pas être exposée à une source de chaleur excessive, telle que le soleil, le feu, ou analogue

18. Tmra

A manufacturer's maximum recommended ambient temperature (Tmra) for the equipment must be specified so that the customer and installer may determine a suitable maximum operating environment for the equipment.

FCC Compliance Statement

THIS EQUIPMENT HAS BEEN TESTED AND FOUND TO COMPLY WITH THE LIMITS FOR A CLASS A DIGITAL DEVICE, PURSUANT TO PART 15 OF THE FCC RULES. THESE LIMITS ARE DESIGNED TO PROVIDE REASONABLE PROTECTION AGAINST HARMFUL INTERFERENCE WHEN THE EQUIPMENT IS OPERATED IN A COMMERCIAL ENVIRONMENT. THIS EQUIPMENT GENERATES, USES, AND CAN RADIATE RADIO FREQUENCY ENERGY AND IF NOT INSTALLED AND USED IN ACCORDANCE WITH THE INSTRUCTION MANUAL, MAY CAUSE HARMFUL INTERFERENCE TO RADIO COMMUNICATIONS. OPERATION OF THIS EQUIPMENT IN A RESIDENTIAL AREA IS LIKELY TO CAUSE HARMFUL INTERFERENCE, IN WHICH CASE USERS WILL BE REQUIRED TO CORRECT THE INTERFERENCE AT THEIR OWN EXPENSE.

WARNING: CHANGES OR MODIFICATIONS NOT EXPRESSLY APPROVED BY THE PARTY RESPONSIBLE FOR COMPLIANCE COULD VOID THE USER'S AUTHORITY TO OPERATE THE EQUIPMENT. THIS CLASS OF DIGITAL APPARATUS MEETS ALL REQUIREMENTS OF THE CANADIAN INTERFERENCE CAUSING EQUIPMENT REGULATIONS.

WEEE (Waste Electrical & Electronic Equipment)

Correct Disposal of This Product

(Applicable in the European Union and other European countries with separate collection systems)



This marking shown on the product or its literature, indicates that it should not be disposed with other household wastes at the end of its working life. To prevent possible harm to the environment or human health from uncontrolled waste disposal, please separate this from other types of wastes and recycle it responsibly to promote the sustainable reuse of material resources.

Household users should contact either the retailer where they purchased this product, or their local government office, for details of where and how they can take this item for environmentally safe recycling.

Business users should contact their supplier and check the terms and conditions of the purchase contract. This product should not be mixed with other commercial wastes for disposal.

Copyright

© 2021 IDIS Co., Ltd.

IDIS Co., Ltd. reserves all rights concerning this document.

Use or duplication of this document in part or whole without the prior consent of IDIS Co., Ltd. is strictly prohibited.

Contents of this document are subject to change without prior notice for reasons such as functionality enhancements.

Registered Trademarks

IDIS is a registered trademark of IDIS Co., Ltd.

Other company and product names are registered trademarks of their respective owners.

The software included in this product contains some Open Sources. You may obtain the corresponding source code which we have to distribute according to the license policy. For more information, refer to **System > General** page. This product includes software developed by the University of California, Berkeley and its contributors, and software developed by the OpenSSL Project for use in the OpenSSL Toolkit (<http://www.openssl.org/>). Also, this product includes cryptographic software written by Eric Young (ey@cryptsoft.com).

Covered by one or more claims of the patents listed at patentlist.accessadvantage.com.

Accessories

Upon purchasing the product, check inside the box to make sure all the following accessories are included. Some parts may differ depending on the situation.

Network Camera	Screws and Anchors (4ea.)
Quick Guide	Indoor Bracket



- Please download software (IDIS Discovery, IDIS Center, IDIS Solution Suite Compact) and product manual from this link :
 - IDIS Website (www.idisglobal.com)
 - Search IDIS Discovery, IDIS Center, IDIS Solution Suite Compact.
- The screws are not provided for *DC-S3283FX* and *DC-S3283FX-A* models.

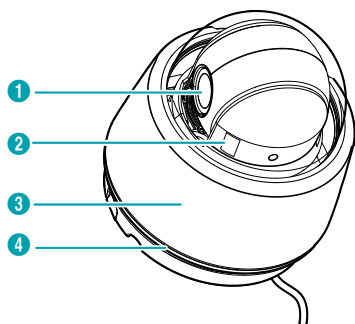
Overview



- Product color and design may vary depending on the model.
- For more details on each part name, refer to the manual.

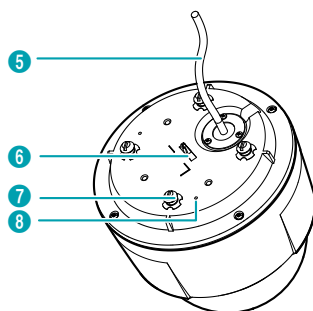
Indoor and Outdoor

Body



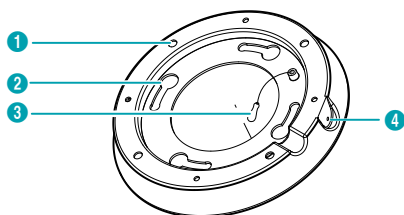
1	Lens
2	Micro SD Memory Card Slot
3	Dome Cover
4	Waterproof Sealing (black rubber)

Body - Bottom Side View

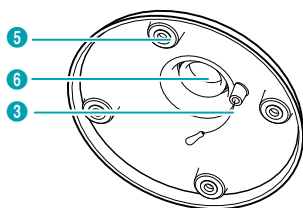


5	Cable
6	Safety Wire Ring
7	Install Screw
8	M3 Screw Hole

Indoor Bracket



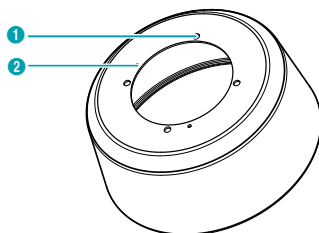
Outdoor Bracket



The outdoor bracket and sun shield are purchased separately. Ask your dealer or distributor about purchasing it.

1	Wall/Ceiling Mounting Hole
2	Install Screw Hole
3	Safety Wire
4	M4 Screw Hole
5	M5 Screw Hole
6	Pipe Hole

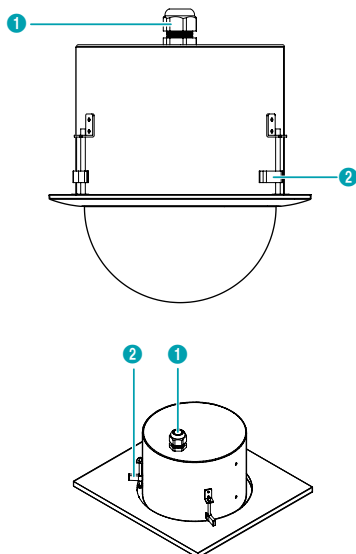
Outdoor Sun Shield



1	M5 Screw Hole
2	M3 Screw Hole

Flushed

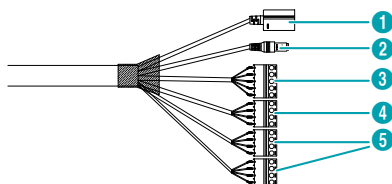
Housing



1	Cable Guard
2	Mounting Clamp

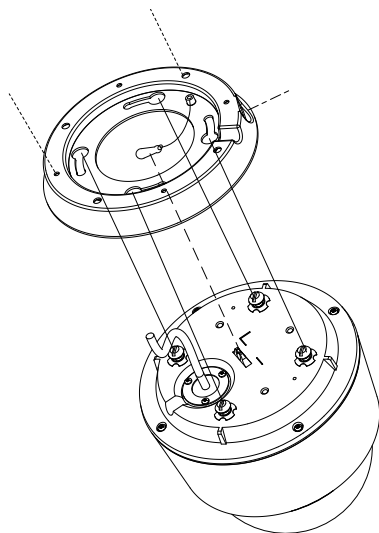
Camera Installation

Cable



1	Network Port
2	Power
3	Audio In/Out
4	Alarm Out
4	Alarm In

Indoor



- 1 Screw the indoor bracket to the wall or ceiling by using the wall/ceiling mounting screws provided with the camera.
- 2 Make a cable hole in the wall or ceiling.

- 3 Hook the safety wire of the bracket on the safety wire ring of the camera body.
- 4 Connect external devices, the network cable, and the power adapter.
- 5 Connect the camera body to the indoor bracket. Fix the install screws of the camera body up to the install screw holes of the bracket and then turn the camera body by 25° in the clockwise direction.
- 6 Secure the camera body on to the bracket by tightening the M4 screw provided with the camera to the M4 screw hole of the bracket.
- 7 Supply the power.

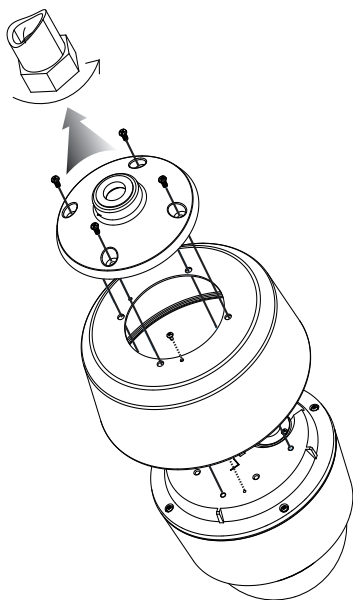
Outdoor



The outdoor bracket and sun shield are purchased separately. Ask your dealer or distributor about purchasing it.

In case that a universal nut is attached to a pipe

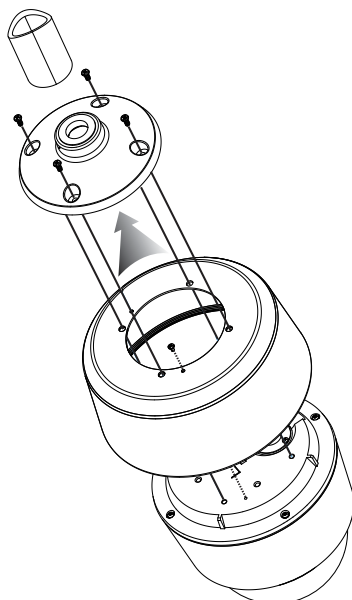
Connect the sun shield and outdoor bracket first, then connect it to the pipe as follows:



- 1 Remove the install screw from the camera body.
- 2 Use the provided M3 screws to secure the sun shield on to the camera body.
- 3 Hook the safety wire of the outdoor bracket on the safety wire ring of the camera body.
- 4 Screw the outdoor bracket to the sun shield by using the M5 screws provided with the camera.
- 5 Connect the cable from the camera to the pipe.
- 6 Turn the universal nut to connect the camera to the pipe.
- 7 Connect external devices, the network cable, and the power adapter.
- 8 Supply the power.

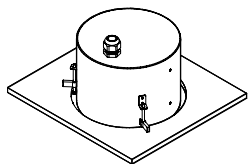
In case that a universal nut is not attached to a pipe

Connect the sun shield to the outdoor bracket as follows:



- 1 Remove the install screw from the camera body.
- 2 Use the provided M3 screws to secure the sun shield on to the camera body.
- 3 Assemble the outdoor bracket to the pipe by turning the outdoor bracket.
- 4 Hook the safety wire of the outdoor bracket on the safety wire ring of the camera body.
- 5 Connect the cable from the camera to the pipe.
- 6 Screw the sun shield to the outdoor bracket by using the M5 screws provided with the camera.
- 7 Connect external devices, the network cable, and the power adapter.
- 8 Supply the power.

Flushed




The camera is mounted in the housing.

- 1 Remove the ceiling tile from the ceiling. Draw circle whose diameter is 7.87" (200 mm) on the tile. Cut the circle out of the ceiling tile.
- 2 Connect external devices, the network cable, and the power adapter.
- 3 Turn the housing dome cover counterclockwise to remove the housing dome cover from the housing can.
- 4 Insert the housing into the ceiling and turn the screws of three clamps clockwise. The clamps are laid over the ceiling tile and the housing is held in the ceiling.
- 5 Connect the housing dome cover to the housing can and turn it clockwise to secure the dome cover to the housing.
- 6 Supply the power



The ceiling tile cannot be thicker than 1.3" (35mm).

Specifications

External Dimensions (Ø x H)	7.87" x 7.87" (200mm x 200mm)
Weight (Main Unit)	5.40 lbs. (2.45kg)
Working Temperature	<i>DC-S3283WHX(-A) model:</i> -40°F ~ 140°F (-40°C ~ 60°C) (Starting Temperature: -4°F ~ 140°F (-20°C ~ 60°C)) <i>DC-S3283FX(-A) model:</i> 14°F ~ 140°F (-10°C to 60°C) (Starting Temperature: 32°F ~ 140°F (0°C ~ 60°C))
Operating Humidity	0% to 90%
Power Input	<i>DC-S3283FX(-A) model:</i> 24 VAC, PoE (Power over Ethernet) (IEEE 802.3af, Class 3) <i>DC-S3283WHX(-A) model:</i> 24 VAC, PoE (Power over Ethernet) (IEEE 802.3at, Class 4)
Power Consumption	<i>DC-S3283FX(-A) model:</i> 24V~, 0.66A, 12.0W, 50/60Hz PoE, IEEE 802.3af(Class 3) <i>DC-S3283WHX(-A) model:</i> Heater OFF 24V~, 0.66A, 12.0W, 50/60Hz PoE, IEEE 802.3at(Class 4) Heater ON 24V~, 0.82A, 15.3W, 50/60Hz PoE, IEEE 802.3at(Class 4)
External Storage* (Optional)	 (Micro SD/SDHC/ SDXC memory card (class 6 or higher, max. 256GB))
Certifications	FCC, CE, IP67**, UL, IK10**

* microSD Logo is a trademark of SD-3C, LLC.

* An SLC (Single Level Cell) or MLC (Multi Level Cell) card by SanDisk or Transcend is recommended to ensure stable recording performance.

* An SD memory card is a consumable product with a finite service life. Prolonged use will damage the card's memory sectors and result in data loss or memory card failure. Test the SD memory card regularly and replace it whenever necessary.

** Not applies to *DC-S3283FX* and *DC-S3283FX-A* models.

- **DirectIP NVR makes it easy to use cameras without extra network configurations.**
Each camera can be controlled via the DirectIP™ NVR setup menu, without any PC.
 - For detailed camera settings, please see the camera setting pages of DirectIP™ NVR manual.
- **To use your camera with non-DirectIP system (e.g. other NVR or VMS), refer to the camera manual and it can be downloaded from our website: www.idisglobal.com.**



Сеть камера

Краткое руководство пользователя

DC-S3283FX/DC-S3283FX-A

DC-S3283WHX/DC-S3283WHX-A

Правила техники безопасности

ПРЕДУПРЕЖДЕНИЕ

ОПАСНОСТЬ ПОРАЖЕНИЯ ЭЛЕКТРИЧЕСКИМ ТОКОМ
НЕ ОТКРЫВАТЬ

ПРЕДУПРЕЖДЕНИЕ. ДЛЯ СНИЖЕНИЯ ОПАСНОСТИ ПОРАЖЕНИЯ ЭЛЕКТРИЧЕСКИМ ТОКОМ, НЕ СНИМАЙТЕ КРЫШКУ (ИЛИ ЗАДНЮЮ ПАНЕЛЬ). ВНУТРИ НАХОДЯТСЯ ДЕТАЛИ, ТЕХНИЧЕСКОЕ ОБСЛУЖИВАНИЕ КОТОРЫХ МОГУТ ПРОИЗВОДИТЬ ТОЛЬКО КВАЛИФИЦИРОВАННЫЕ СПЕЦИАЛИСТЫ.
ДЛЯ ПРОВЕДЕНИЯ ТЕХНИЧЕСКОГО ОБСЛУЖИВАНИЯ ОБРАТИТЕСЬ К КВАЛИФИЦИРОВАННОМУ СПЕЦИАЛИСТУ.

Важные меры безопасности

1. Ознакомьтесь с инструкцией

Пользователь должен ознакомиться со всеми инструкциями по безопасности и эксплуатации до начала эксплуатации устройства.

2. Хранение инструкций

Инструкции по технике безопасности и эксплуатации должны сохраняться для дальнейшего использования.

3. Чистка

Перед началом чистки устройства отключите его от розетки. Не используйте жидкие аэрозольные чистящие средства. Для чистки используйте влажную мягкую ткань.

4. Дополнительно подключаемые компоненты

Не следует использовать дополнительные приставки и (или) оборудование без одобрения производителя, так как это может привести к возникновению пожара, поражению электрическим током или другим травмам.

5. Вода и (или) влага

Не используйте данное оборудование вблизи или в контакте с водой.

6. Размещение и принадлежность

Не устанавливайте оборудование на стену или потолок, которые не рассчитаны на вес камеры. Оборудование может упасть и привести к серьезной травме ребенка или взрослого или повреждению оборудования. При установке на стене или на полке необходимо руководствоваться инструкциями производителя и пользоваться монтажным комплектом производителя.



Если устройство находится на тележке, перемещайте ее с осторожностью. При резком торможении, слишком сильных толчках и на неровных поверхностях тележка с устройством может перевернуться.

Не устанавливайте данное оборудование в закрытом помещении. Чтобы предупредить повреждение оборудования или возгорание в результате повышения температуры окружающей среды, необходимо обеспечить достаточную вентиляцию.

7. Источники питания

Эксплуатация оборудования должна проводиться только с использованием источника питания, указанного на бирке. Если вы не уверены относительно источника питания, обратитесь к дилеру оборудования или в местную

электроэнергетическую компанию.

Вы можете установить ИБП (источник бесперебойного питания) для безопасной эксплуатации, чтобы предупредить повреждения, связанные с неожиданным нарушением энергоснабжения. По вопросам относительно ИБП обратитесь к продавцу ИБП.

8. Сетевой шнур

Перед началом работы с оборудованием оператор или монтажник должен отключить питание и соединения ТНТ.

9. Грозозащита

Для дополнительной защиты устройства во время грозы, при оставлении устройства без присмотра или его бездействия в течение долгого времени отключите устройство от розетки, отсоедините антенну или кабельную систему. Защита оборудования от повреждения в результате удара молнии и скачков напряжения в сети. Если гром или молния являются обычным явлением для региона, где установлено оборудование, используйте ограничитель перенапряжения.

10. Перегрузка

Не перегружайте розетки и удлинители. Это может привести к возгоранию или поражению электрическим током.

11. Предметы и жидкости

Никогда не вставляйте в отверстия устройства посторонние предметы, так как они могут коснуться электрических контактов или короткозамкнутых деталей, что может привести к возгоранию или поражению электрическим током. Избегайте попадания на оборудование жидкостей любого типа.

12. Обслуживание

Не пытайтесь самостоятельно обслуживать данное оборудование. Для проведения технического обслуживания обратитесь к квалифицированному специалисту.

13. Обслуживание при поломке

Отключите оборудование от розетки и обратитесь к квалифицированному специалисту при следующих условиях:

- Если поврежден шнур питания или вилка.
- Если пролилась жидкость или посторонние предметы попали в корпус.
- Если устройство попало под дождь или подверглось воздействию воды.
- Если оборудование не работает должным образом при выполнении инструкций по эксплуатации, выполните только те настройки, которые описаны в инструкции по эксплуатации, так как неправильная настройка других параметров может привести

к повреждению и дорогостоящему ремонту для восстановления оборудования.

E. Если устройство уронили или поврежден корпус.

F. Если в работе оборудования наблюдаются заметные изменения, необходимо провести техническое обслуживание.

14. Запасные части

При необходимости замены деталей убедитесь, что специалист по обслуживанию использует только разрешенные производителем запасные детали или же детали с характеристиками оригинальных частей. Несанкционированная замена деталей может привести к возгоранию, поражению электрическим током или другим рискам.

15. Проверка безопасности

После завершения обслуживания или ремонта оборудования попросите специалиста по обслуживанию провести проверку безопасности, чтобы убедиться, что оборудование находится в надлежащем рабочем состоянии.

16. Установка на месте

Данная установка должна проводиться квалифицированным специалистом и соответствовать всем местным нормам и правилам.

17. Подходящие батареи

Предупреждение: Если установлен неправильный тип батарей, существует риск взрыва. Заменять только точно такими же батареями или батареями аналогичного типа. Исползованные батареи должны быть утилизированы в соответствии с инструкциями. Аккумуляторная батарея не должна подвергаться повышенному тепловому воздействию от таких источников, как солнечный свет, огонь и т.п.

Предупреждение: если установлен неправильный тип батарей, существует риск взрыва. Заменять только точно такими же батареями или батареями аналогичного типа. Исползованные батареи должны быть утилизированы в соответствии с инструкциями. Аккумуляторная батарея не должна подвергаться повышенному тепловому воздействию от таких источников, как солнечный свет, огонь и т.п.

18. Рекомендуемая температура окружающей среды

Рекомендуемая максимальная температура окружающей среды (Tmax) для оборудования должна быть указана для того, чтобы покупатель и монтажники могли определить максимальную рабочую температуру окружающей среды для оборудования.

Заявление о соответствии требованиям Федеральной комиссии по связи (FCC)

ДАННОЕ ОБОРУДОВАНИЕ БЫЛО ПРОТЕСТИРОВАНО И ПРИЗНАНО СООТВЕТСТВУЮЩИМ ВСЕМ ОГРАНИЧЕНИЯМ ДЛЯ ЦИФРОВЫХ УСТРОЙСТВ КЛАССА А СОГЛАСНО ЧАСТИ 15 ПРАВИЛ FCC. ЭТИ ОГРАНИЧЕНИЯ РАЗРАБОТАНЫ ДЛЯ НАДЛЕЖАЩЕЙ ЗАЩИТЫ ОТ ВРЕДНОГО ИЗЛУЧЕНИЯ ПРИ ЭКСПЛУАТАЦИИ ОБОРУДОВАНИЯ В КОММЕРЧЕСКОЙ СРЕДЕ. ДАННОЕ ОБОРУДОВАНИЕ ГЕНЕРИРУЕТ, ИСПОЛЬЗУЕТ И МОЖЕТ ИЗЛУЧАТЬ РАДИОЧАСТОТНУЮ ЭНЕРГИЮ, КОТОРАЯ, В СЛУЧАЕ ИСПОЛЬЗОВАНИЯ ИЛИ УСТАНОВКИ С НАРУШЕНИЯМИ ИНСТРУКЦИЙ, МОЖЕТ СОЗДАВАТЬ ПОМЕХИ РАДИОСВЯЗИ. ЭКСПЛУАТАЦИЯ ДАННОГО ОБОРУДОВАНИЯ В ЖИЛОЙ ЗОНЕ МОЖЕТ ВЫЗВАТЬ ВРЕДНЫЕ ПОМЕХИ, И В ЭТОМ СЛУЧАЕ ПОЛЬЗОВАТЕЛЬ ДОЛЖЕН БУДЕТ УСТРАНИТЬ ПОМЕХИ ЗА СВОЙ СЧЕТ.

ПРЕДУПРЕЖДЕНИЕ. ЛЮБЫЕ ИЗМЕНЕНИЯ ИЛИ МОДИФИКАЦИИ ИЗДЕЛИЯ БЕЗ СОГЛАСОВАНИЯ С КОМПЕТЕНТНЫМ ОРГАНОМ МОГУТ ЛИШИТЬ ВАС ПРАВА НА ИСПОЛЬЗОВАНИЕ ОБОРУДОВАНИЯ. ДАННЫЙ КЛАСС ЦИФРОВОЙ АППАРАТУРЫ СООТВЕТСТВУЕТ ВСЕМ ТРЕБОВАНИЯМ РЕГУЛИРУЮЩИХ ОРГАНОВ КАНАДЫ К ОБОРУДОВАНИЮ — ИСТОЧНИКУ ИНТЕРФЕРЕНЦИИ.

Утилизация отходов производства электрического и электронного оборудования

Правильная утилизация данного устройства

(применимо в ЕС и других европейских странах с раздельными системами сбора отходов)



Данная маркировка на изделии или документации к нему указывает, что оно не подлежит утилизации совместно с другими бытовыми отходами по истечении срока годности. Чтобы избежать вредного воздействия на окружающую среду или здоровье человека вследствие бесконтрольной утилизации отходов, данные отходы подлежат отделению от других типов отходов и тщательной переработке для повторного использования.

При использовании оборудования в бытовых условиях пользователями следует выяснить, куда и каким образом доставить его в целях переработки для повторного использования.

При промышленном использовании пользователям следует связаться с поставщиком для выяснения соответствующих условий договора купли-продажи. Данное изделие подлежит утилизации отдельно от других промышленных отходов.

Авторские права

© IDIS Co., Ltd., 2021 г.

Корпорация IDIS, Ltd. сохраняет за собой все права на данный документ.

Частичное или полное использование или копирование этого документа без предварительного получения согласия корпорации IDIS, Ltd. строго запрещено.

Содержимое данного документа может быть изменено без предварительного уведомления по причинам, связанным с расширением функциональных возможностей.

Зарегистрированные товарные знаки

IDIS является зарегистрированным товарным знаком корпорации IDIS, Ltd.

Все остальные наименования компаний и продуктов являются зарегистрированными товарными знаками соответствующих владельцев.

Этот продукт содержит программное обеспечение, которое частично разработано на базе содержимого с открытым исходным кодом. Можно получить полный исходный код, если он находится в открытом доступе в соответствии с политикой лицензирования. Подробнее можно узнать на странице **Система > Общие**. Этот продукт содержит программное обеспечение, разработанное Калифорнийским университетом в Беркли и его авторами, а также программное обеспечение, разработанное в рамках проекта OpenSSL для использования в инструментарию OpenSSL (<http://www.openssl.org/>). Кроме того, этот продукт включает криптографическое программное обеспечение, написанное Эриком Янгом (eay@cryptsoft.com).

Охраняется одним или несколькими пунктами патентных формул, указанных на сайте patentlist.accessadvance.com.

Комплектация

Во время приобретения устройства проверьте коробку, чтобы убедиться, что в комплект включены следующие принадлежности: В зависимости от ситуации некоторые детали могут быть разными.

Сетевая камера	Винты (4 шт.)
Краткое руководство пользователя	



- Пожалуйста, скачайте программное обеспечение (IDIS Discovery, IDIS Center, IDIS Solution Suite Compact) и руководство пользователя по следующей ссылке: <https://www.idisglobal.com/support/csdownload>
 - Веб-сайт IDIS (www.idisglobal.com) > Поддержка > Технические ресурсы
 - Найдите IDIS Discovery, IDIS Center, IDIS Solution Suite Compact.
- Винты для модели *DC-S3283FX* и *DC-S3283FX-A* не предоставляются.

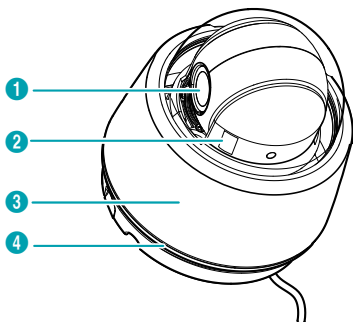
Обзор



- Цвет и конструкция устройства зависят от модели.
- Подробные сведения о каждом шифре детали см. в руководстве.

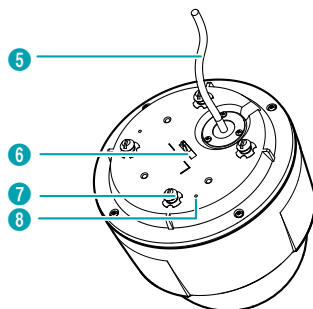
В помещении и на улице

Корпус



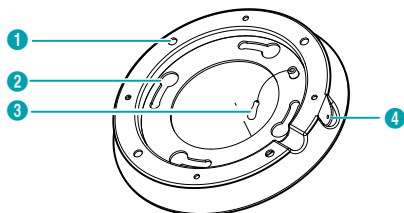
1	Объектив
2	Слот карты памяти Micro SD
3	Купольная крышка
4	Водостойкое уплотнение (из черной резины)

Корпус – Вид снизу

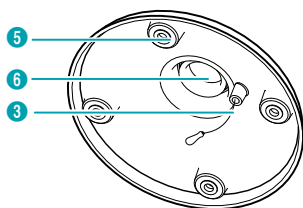


5	Кабель
6	Кольцо для предохранительной проволоки
7	Монтажный винт
8	Отверстие под винт M3

Держатель для крепления в помещении

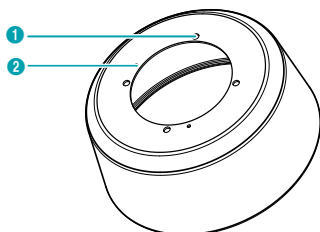


Держатель для крепления на улице



1	Отверстие для установки на стене/потолке
2	Отверстие под монтажный винт
3	Предохранительная проволока
4	Отверстие под винт M4
5	Отверстие под винт M5
6	Отверстие для трубы

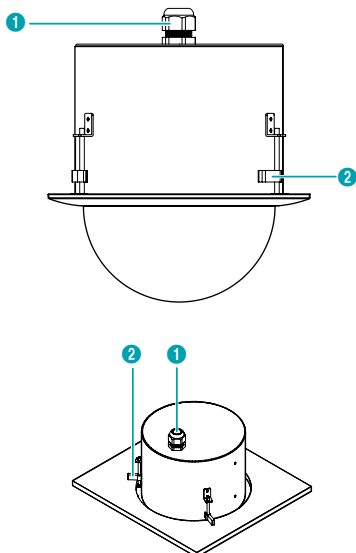
Солнцезащитный экран для крепления на улице



1	Отверстие под винт M5
2	Отверстие под винт M3

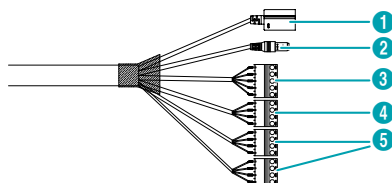
Монтаж заподлицо

Корпус



1	Кабельный ввод
2	Монтажный зажим

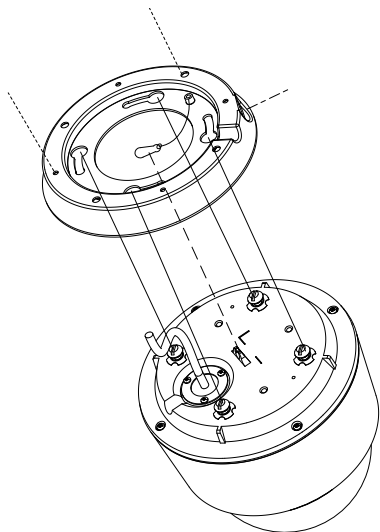
Кабель



1	Сетевой порт
2	Питание
3	Аудиовход/выход
4	Тревожный выход
4	Тревожный вход

Установка камеры

В помещении



- 1 Прикрепите держатель для крепления в помещении к стене или потолку с помощью винтов, которые идут в комплекте с камерой.
- 2 Сделайте на стене или потолке отверстие под кабель.
- 3 Прикрепите предохранительную проволоку держателя к кольцу на корпусе камеры.
- 4 Подсоедините внешние устройства, сетевой кабель и блок питания.
- 5 Установите корпус камеры на держатель для крепления в помещении. Закрепите монтажные винты корпуса камеры в соответствующих отверстиях держателя, и затем поверните корпус камеры на 25° по часовой стрелке.
- 6 Закрепите корпус камеры на держателе. Для этого затяните винт М4 из комплекта поставки камеры в соответствующем отверстии держателя.
- 7 Подключите питание.

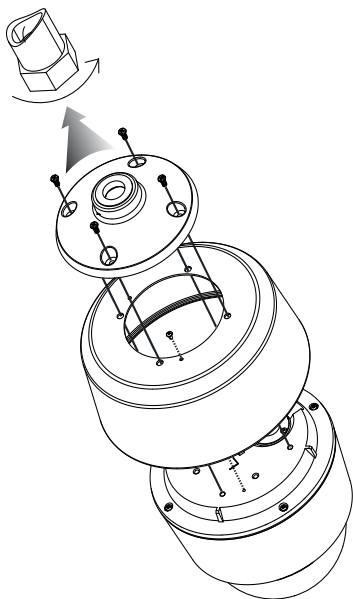
На улице



Держатель и солнцезащитный экран для крепления на улице приобретаются отдельно. Обратитесь к своему дилеру или дистрибьютору по вопросу приобретения.

Если на трубе закреплена универсальная гайка

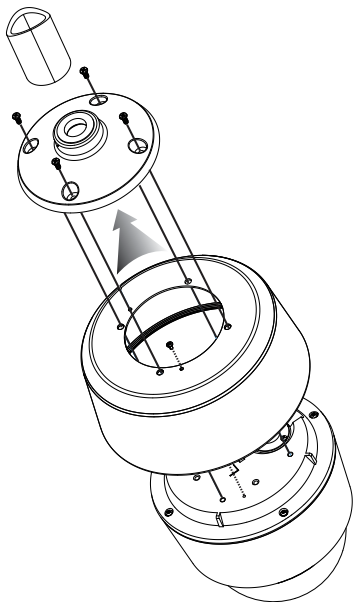
Сначала установите солнцезащитный экран и держатель для крепления на улице, а затем установите их на трубу следующим образом:



- 1 Снимите монтажный винт с корпуса камеры.
- 2 Используйте прилагаемые винты М3 для крепления солнцезащитного экрана на корпусе камеры.
- 3 Прикрепите предохранительную проволоку держателя для крепления на улице к кольцу на корпусе камеры.
- 4 Прикрепите держатель к солнцезащитному экрану винтами М5, которые идут в комплекте с камерой.
- 5 Проложите кабель от камеры к трубе.
- 6 Поверните универсальную гайку для закрепления камеры на трубе.
- 7 Подсоедините внешние устройства, сетевой кабель и блок питания.
- 8 Подключите питание.

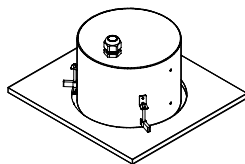
Если на трубе не закреплена универсальная гайка

Установите солнцезащитный экран на держатель следующим образом:



- 1 Снимите монтажный винт с корпуса камеры.
- 2 Используйте прилагаемые винты М3 для крепления солнцезащитного экрана на корпусе камеры.
- 3 Закрепите держатель на трубе методом его поворота.
- 4 Прикрепите предохранительную проволоку держателя для крепления на улице к кольцу на корпусе камеры.
- 5 Проложите кабель от камеры к трубе.
- 6 Прикрепите солнцезащитный экран к держателю винтами М5, которые идут в комплекте с камерой.
- 7 Подсоедините внешние устройства, сетевой кабель и блок питания.
- 8 Подключите питание.

Монтаж заподлицо



Камера устанавливается в корпусе.

- 1 Снимите потолочную плитку с потолка. Начертите на плитке окружность диаметром 200 мм (7,87 дюйма). Вырежьте окружность из потолочной плитки.
- 2 Подсоедините внешние устройства, сетевой кабель и блок питания.
- 3 Поверните купольную крышку против часовой стрелки, чтобы снять ее с корпуса.
- 4 Вставьте корпус в потолочную плитку и поверните винты трех зажимов по часовой стрелке. Таким образом зажимы опираются на потолочную плитку и держат корпус.
- 5 Установите купольную крышку на корпус и поверните ее по часовой стрелке для закрепления.
- 6 Подключите питание.



Толщина потолочной плитки не должна превышать 35 мм (1,3 дюйма).

Технические характеристики

Внешние габариты (Ø x В)	7,87 дюймов x 7,87 дюймов (200 мм x 200 мм)
Масса (основного блока)	5,40 фунтов (2,45 кг)
Рабочая температура	<i>Модель DC-S3283WHX(-A):</i> -40°F - 140°F (-40°C - 60°C) (Начальная температура: -4°F - 140°F (-20°C - 60°C))
	<i>Модель DC-S3283FX(-A):</i> 14°F - 140°F (-10°C - 60°C) (Начальная температура: 32°F - 140°F (0°C - 60°C))
Рабочая влажность	0 - 90 %
Подключаемое питание	<i>Модель DC-S3283FX(-A):</i> 24 В переменного тока, PoE (питание по Ethernet) (IEEE 802.3af, класс 3)
	<i>Модель DC-S3283WHX(-A):</i> 24 В переменного тока, PoE (питание по Ethernet) (IEEE 802.3at, класс 4)
Потребляемая мощность	24 В переменного тока: макс. 12,0 Вт (<i>Модель DC-S3283WHX(-A):</i> С включенным обогревателем: макс. 15,3 Вт)
	PoE: макс. 10,8 Вт (<i>Модель DC-S3283WHX(-A):</i> С включенным обогревателем: макс. 14,1 Вт)
Внешний накопитель* (приобретается дополнительно)	 (карта памяти Micro SD/SDHC/SDXC (класс 6 или выше, до 256 ГБ))
Сертификации	FCC, CE, IP67**, UL, IK10**

* Логотип microSD Logo является товарным знаком SD-3C, LLC.

* Чтобы обеспечить стабильное качество записи, рекомендуется использовать карты SLC и MLC производства SanDisk или Transcend.

* SD-карты относятся к расходным материалам с ограниченным сроком службы. При продолжительном использовании секторы памяти карты могут быть повреждены, что приведет к потере данных или непригодности карты. Регулярно проверяйте состояние SD-карты и в случае необходимости заменяйте ее.

** Не применимо к модели *DC-S3283FX* и *DC-S3283FX-A*.

- **Производитель:** IDIS Co., Ltd
- **Адрес:** Республика Корея, 8-10, Techno 3-ro, Yuseong-gu, Daejeon, 34012
- **Импортер:** ООО «Авикс Дистрибьюторский Центр» (ООО «Авикс ДЦ») 
- **Адрес:** 115093, г. Москва, ул. Большая Серпуховская, дом 44, помещение I, комната 19
- Дата изготовления устройства отмечена в серийном номере изделия, указанном на корпусе: седьмая и восьмая цифра слева обозначают год производства, девятая и десятая - месяц. Дополнительные сведения смотрите на веб-сайте www.idisglobal.ru



IDIS Co., Ltd.

For more information, please visit
www.idisglobal.com